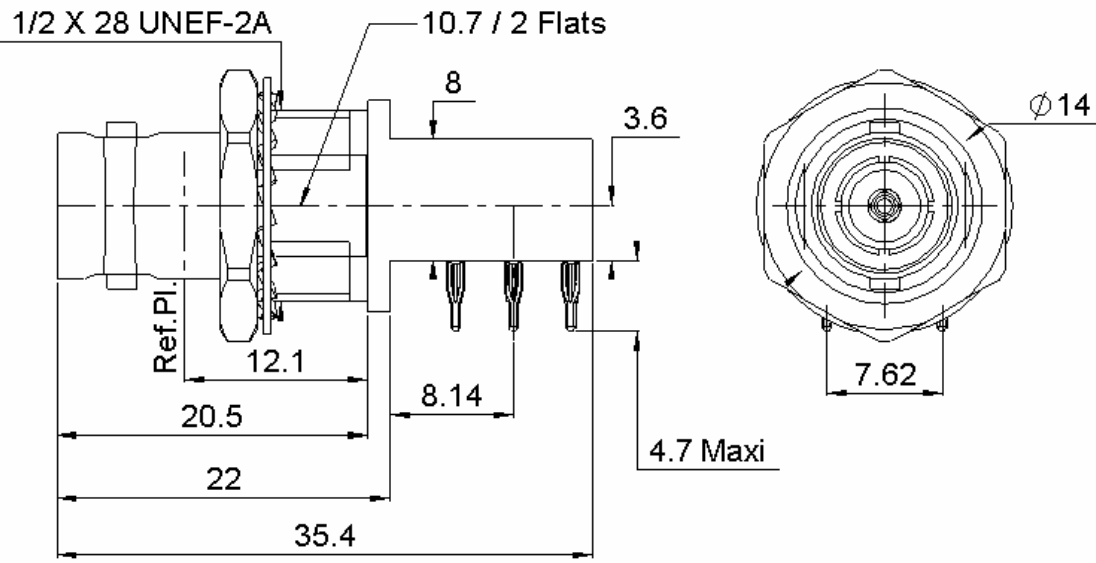


RIGHT ANGLE JACK RECEPTACLE FOR PCB

R141.684.130

PRESS FIT LEGS

Series : BNC

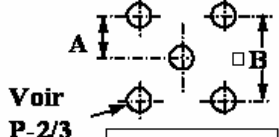


PANEL CUT OUT

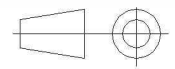
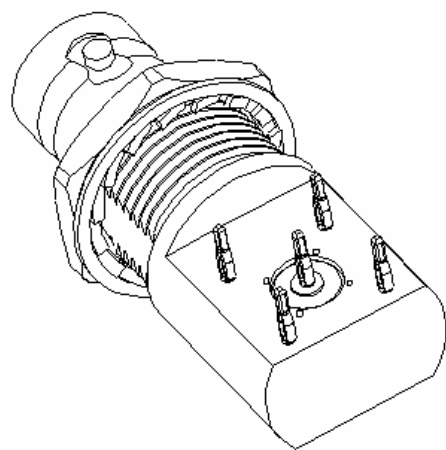
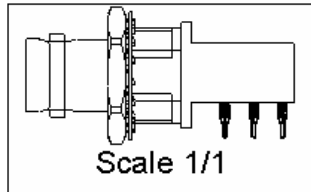


mm		
	Maxi	mini
A	12.8	12.7
B	10.9	10.8

PANEL CUT OUT



mm		
	Maxi	mini
A	3.835	3.785
B	7.67	7.57



All dimensions are in mm.

COMPONENTS	MATERIALS	PLATING (µm)
BODY	BRASS	NICKEL 2
CENTER CONTACT	BRASS	GOLD 0.5 OVER NICKEL 2
OUTER CONTACT	-	-
INSULATOR	PTFE	-
GASKET	-	-
OTHERS PARTS	PHOSPHOR BRONZE	TIN 3 OVER NICKEL 2
-	-	-
-	-	-

Issue : 0821 D

In the effort to improve our products, we reserve the right to make changes judged to be necessary.



RIGHT ANGLE JACK RECEPTACLE FOR PCB

R141.684.130

PRESS FIT LEGS

Series : **BNC**

PACKAGING

SPECIFICATION

Standard	Unit	Other
100	'W' option	Contact us

ELECTRICAL CHARACTERISTICS

ENVIRONMENTAL

Impedance	50	Ω
Frequency	0-4	GHz
VSWR	1.40 + 0,0000	x F(GHz) Maxi
Insertion loss	0.30	$\sqrt{F}(\text{GHz})$ dB Maxi
RF leakage	- (57)	- F(GHz)) dB Maxi
Voltage rating	500	Veff Maxi
Dielectric withstanding voltage	1500	Veff mini
Insulation resistance	5000	M Ω mini

Operating temperature	-65/+165	$^{\circ}$ C
Hermetic seal	NA	Atm.cm3/s
Panel leakage	NA	

OTHER CHARACTERISTICS

Assembly instruction

Others :
Coaxial Transmission Line Only

MECHANICAL CHARACTERISTICS

Center contact retention		
Axial force – Mating end	18	N mini
Axial force – Opposite end	18	N mini
Torque	NA	N.cm mini
Recommended torque		
Mating	NA	N.cm
Panel nut	370	N.cm
Mating life	500	Cycles mini
Weight	35,2400	g

Issue : 0821 D

In the effort to improve our products, we reserve the right to make changes judged to be necessary.



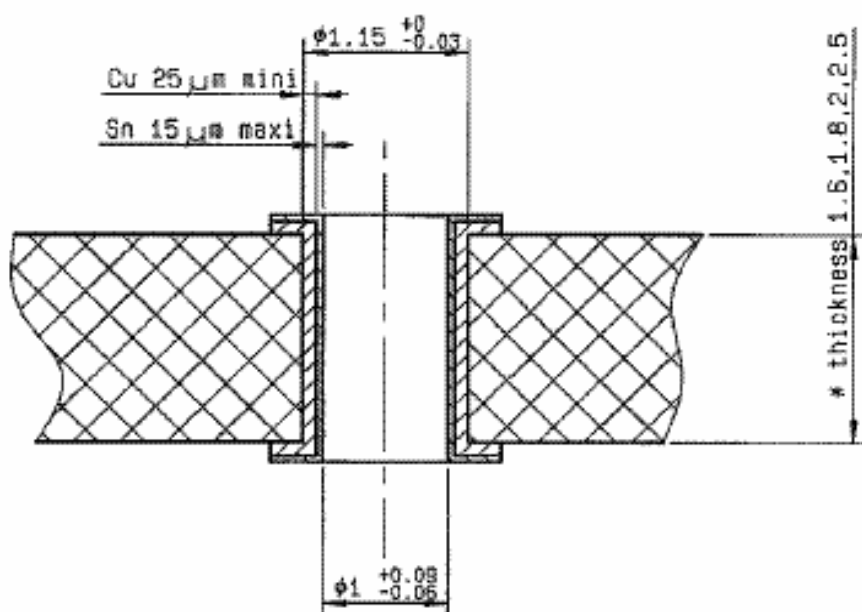
RIGHT ANGLE JACK RECEPTACLE FOR PCB

R141.684.130

PRESS FIT LEGS

Series : BNC

PC BOARD MATERIAL	GLASS FIBRE EPOXYD NEMA:G10,G11,FR4,FR5 DIN 40802 : EP-GC 01 , EP-GC 02
THICKNESS	1.5 mm *
HOLE	FOR 1mm COMPLIANT PIN
BORE-HOLE	$\phi 1.15 \text{ } 0/-0.03$
COPPER	$> 25 \mu\text{m}$
TIN	$< 15 \mu\text{m}$
FINAL DIAMETER	$\phi 1 \text{ } +0.09/-0.06$



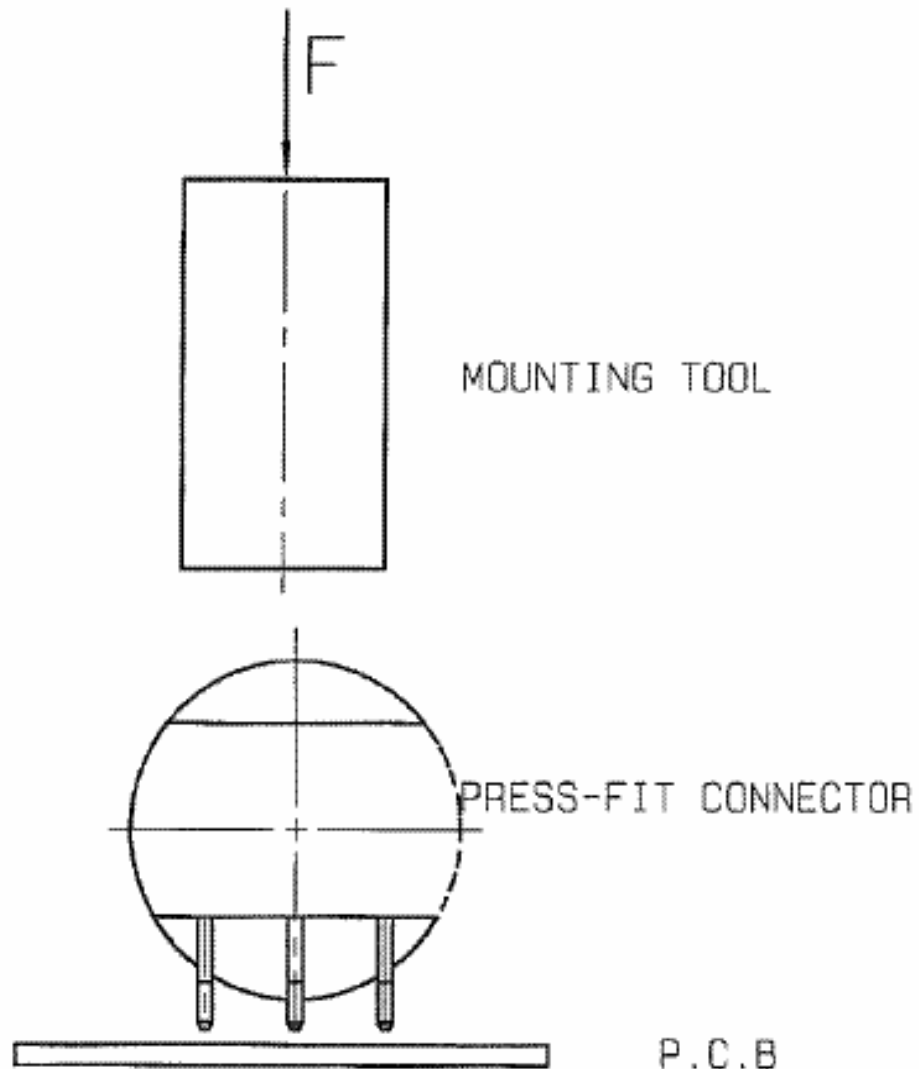
Issue : 0821 D

In the effort to improve our products, we reserve the right to make changes judged to be necessary.



RIGHT ANGLE JACK RECEPTACLE FOR PCB**R141.684.130****PRESS FIT LEGS**Series : **BNC**

MOUNTING INSTRUCTIONS



PLACE THE MOUNTING TOOL ON PRESS-FIT CONNECTOR AND THIS
SUB ASSEMBLY ON THE PANNEL CIRCUIT BOARD , PUSH ON THE TOP (ABOUT 60daN)
UNTIL TOTAL INSERTION

Issue : 0821 D

In the effort to improve our products, we reserve the right to make changes judged to be necessary.

RADIALL 